

Coffee System
Pony Professional espresso coffee POD
machine, 2 groups for 4 pods/cups

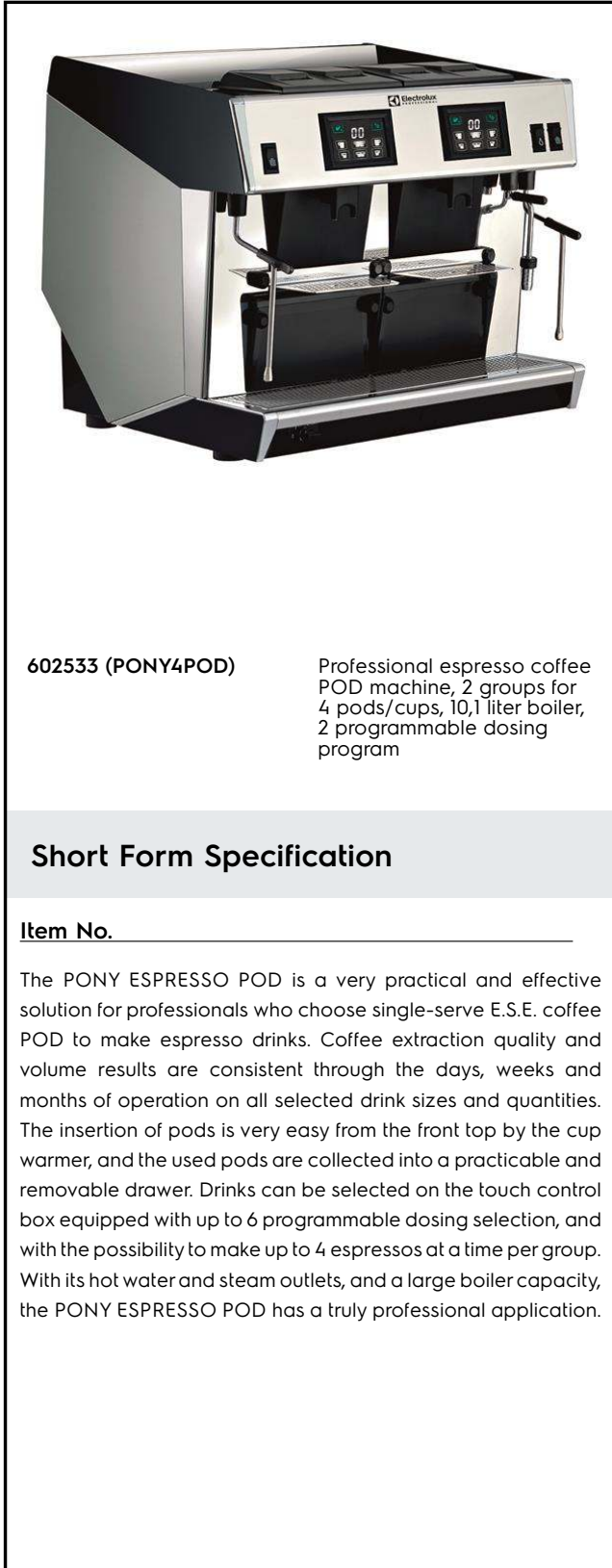
ITEM # _____

MODEL # _____

NAME # _____

SIS # _____

AIA # _____


602533 (PONY4POD)

 Professional espresso coffee
 POD machine, 2 groups for
 4 pods/cups, 10,1 liter boiler,
 2 programmable dosing
 program

Short Form Specification

Item No. _____

The PONY ESPRESSO POD is a very practical and effective solution for professionals who choose single-serve E.S.E. coffee POD to make espresso drinks. Coffee extraction quality and volume results are consistent through the days, weeks and months of operation on all selected drink sizes and quantities. The insertion of pods is very easy from the front top by the cup warmer, and the used pods are collected into a practicable and removable drawer. Drinks can be selected on the touch control box equipped with up to 6 programmable dosing selection, and with the possibility to make up to 4 espressos at a time per group. With its hot water and steam outlets, and a large boiler capacity, the PONY ESPRESSO POD has a truly professional application.

Main Features

- Professional espresso coffee POD machine.
- Coffee extraction quality and volume results are consistent through the days, weeks and months of operation on all selected drink sizes and quantities.
- The insertion of pods is very easy from the front top by the cup warmer, and the used pods are collected into a practicable and removable drawer.
- Drinks can be selected on the touch control box equipped with up to 6 programmable dosing selection, and with the possibility to make up to 4 espressos at a time per group.
- 2 groups for 4 pods/cups.
- 2 programmable dosing program.
- Automatic cleaning cycle.

Construction

- Stainless steel body.
- 10.1 liter boiler.
- Removable used pods drawer.
- Adjustable cup holder.

Optional Accessories

- Cappuccinatore/foamer device with two positions for hot milk and for foam only for machines without Steamair PNC 871011
- Cappuccino system/auto foam device by air injection for traditional machines only for machines without Steamair PNC 871012
- Teflon steam wand only for machines without Steamair PNC 871013
- Side milk refrigerator 8 liter nominal capacity for up to 4 liter milk containers PNC 871014
- Side milk refrigerator 8 liter nominal capacity for up to 4 liter milk containers with digital display PNC 871015
- Raised feet kit PNC 871041

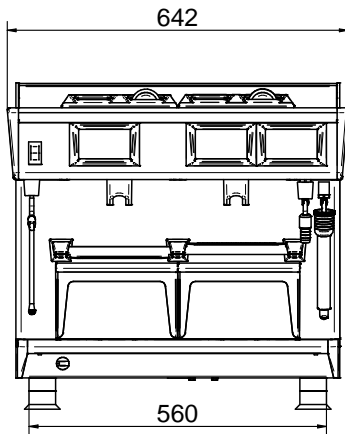
APPROVAL: _____



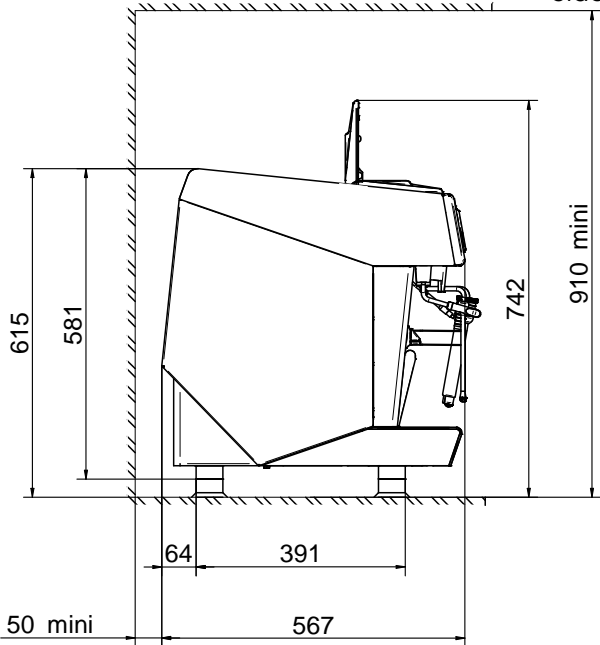
Electrolux
PROFESSIONAL

Coffee System Pony Professional espresso coffee POD machine, 2 groups for 4 pods/cups

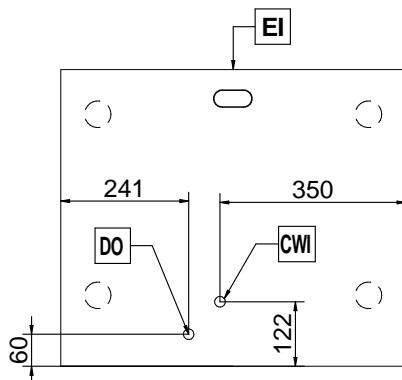
Front



Side



Top



Electric

Supply voltage:

602533 (PONY4POD) 400 V/3N ph/50 Hz

Electrical power max.:

4.7 kW

Plug type:

Cable without plug

Water:

Cold water temperature

(min/max): 5 / 60 °C

Key Information:

External dimensions, Width: 642 mm

External dimensions, Depth: 570 mm

External dimensions, Height: 580 mm

Net weight: 65 kg

Shipping volume: 0.69 m³

Sustainability

Current consumption: 7 Amps



Coffee System
Pony Professional espresso coffee POD machine, 2 groups for 4 pods/
cups
The company reserves the right to make modifications to the products
without prior notice. All information correct at time of printing.

2023.11.18